

### Double Orifice Kinetic Air Valve PN16



#### Flange Drilling

BS 4504 PN16,  
other standard on request.

#### Coating

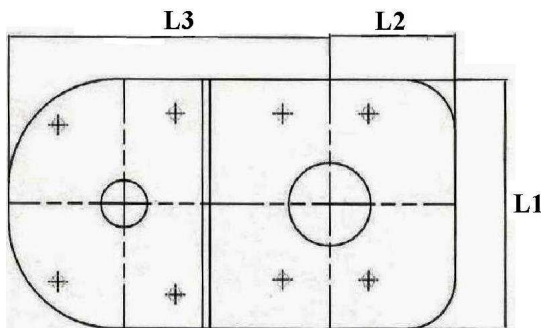
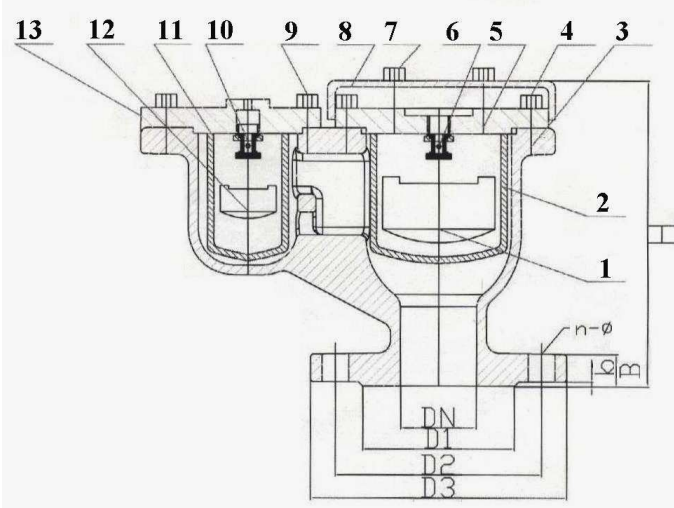
High solid epoxy coating  
standard, other coating on  
request.

#### Properties

Removable cover on top of  
valve body casing for easy  
inspection and movement  
of orifice float (ball) .

#### DIMENSIONS & WEIGHTS

	DN50	DN80	DN100	DN150	DN200
DN	50	80	100	150	200
D1	99	132	156	211	266
D2	125	160	180	240	295
D3	165	200	220	285	340
B	20	20	23	23	23
b	3	3	3	3	3
n - ø	4 - ø19	8 - ø19	8 - ø19	8 - ø23	12 - ø23
H	205	225	260	315	480
L1	150	170	190	240	296
L2	76	82	93	119	148
L3	195	208	217	243	352



#### SPECIFICATIONS

No	Part	Material Description
1	Large Orifice Float	ABS ISO 2580
2	Ball Guide	PVC
3	Body	Ductile Iron, BS EN 1563 Grade 500/7
4	Bolt	Stainless Steel 304
5	Large Orifice Plate	Ductile Iron, BS EN 1563 Grade 500/7
6	Air Release Nipple	Brass BS 143/1256
7	Bolt	Stainless Steel 304
8	Large Orifice Cover	Ductile Iron, BS EN 1563 Grade 500/7
9	Bolt	Stainless Steel 304
10	Air Release Nipple	Brass BS 143/1256
11	Ball Guide	PVC
12	Small Orifice Float	ABS ISO 2580
13	Small Orifice Plate	Ductile Iron, BS EN 1563 Grade 500/7

#### Sales Office :

**TEK VALVE (M) SDN. BHD.** (Company No : 524990-A)

PT 22432, Lot Asal 6535, Sungai Puloh, Batu 5 1/2,  
Jalan Kapar, 42450 Klang, Selangor Darul Ehsan.

Tel : (006) 03-3291 3963

Fax:(006) 03-3290 5126

E-mail: tekvalve@yahoo.com

### Double Orifice Kinetic Air Valve PN16



#### Flange Drilling

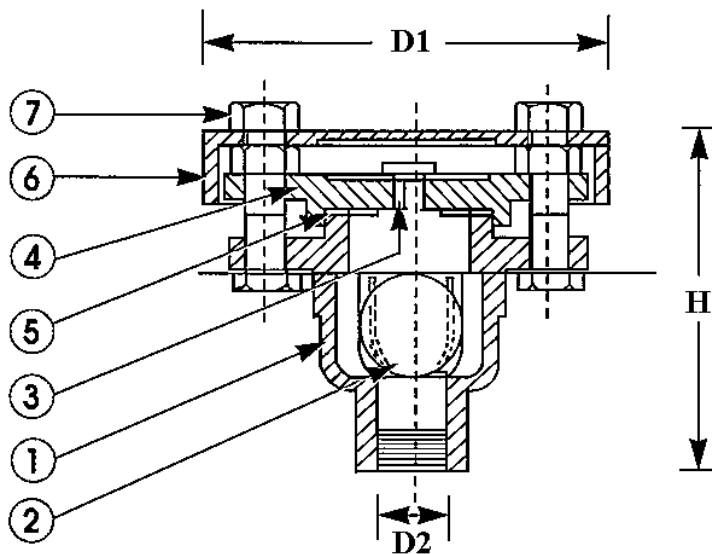
BS 4504 PN16,  
other standard on request.

#### Coating

High solid epoxy coating  
standard, other coating on  
request.

#### Properties

Removable cover on top of  
valve body casing for easy  
inspection and movement  
of orifice float (ball) .



#### DIMENSIONS & WEIGHTS

DN	H	D1	D2	D*
25	215	155	25	105

D\* - Width of air valve

#### SPECIFICATIONS

No	Part	Material Description
1	Body	Ductile Iron, BS EN 1563 Grade 500/7
2	Float (Ball)	ABS ISO 2580
3	Air Release Nipple	Brass BS 143/1256
4	Ball Guide	Ductile Iron, BS EN 1563 Grade 500/7
5	Gasket	NBR, ASTM D 2000 70° IRHD
6	Cover	Ductile Iron, BS EN 1563 Grade 500/7
7	Bolts & Nuts	Stainless Steel 304

#### Sales Office :

**TEK VALVE (M) SDN. BHD.** (Company No : 524990-A)

PT 22432, Lot Asal 6535, Sungai Puloh, Batu 5 1/2,  
Jalan Kapar, 42450 Klang, Selangor Darul Ehsan.

Tel : (006) 03-3291 3963

Fax:(006) 03-3290 5126

E-mail: tekvalve@yahoo.com